

# MPB SERIES PUSHBUTTON SWITCHES

## FEATURES

- Single pole single throw momentary action.
- Normally open and normally closed models.
- Permanent cap is standard.
- Single hole mounting w/mtg. nut & lk'wshr supplied.

## MATERIALS

Base: PBT thermoplastic, color black  
 Bushing: Brass, nickel plated  
 Actuator: ABS thermoplastic  
 Terminals: Brass, silver plated  
 Shorting Contact: Brass or phos. brz., silver plated

## GENERAL SPECIFICATIONS

### ELECTRICALS

Contact rating: 300 mA @ 125 VAC  
 Insulation resistance: 100 megohms min. (500 VDC)  
 Dielectric withstanding voltage: 500 VAC for 1 minute  
 Contact resistance: 25 milliohms max. at 1 amp, 5 VDC  
 Electrical/Mechanical life: 10,000 cycles min.  
 Contact bounce: less than 10 milliseconds

### MECHANICALS, THERMALS

Plunger travel: MPB1110: .063" (1.6mm) MPB1140: .078" (2mm)  
 Actuation force: 300 grams ±150 grams  
 Operating temperature range: -20 °C to +60 °C

### SOLDERING

Wave or hand soldering: 235°C max. for 5 seconds max.  
 Solvent washing: Non-washable. Do not apply flux to terminals or switch mtg. surface

SPECIFICATIONS SUBJECT TO CHANGE WITHOUT NOTICE



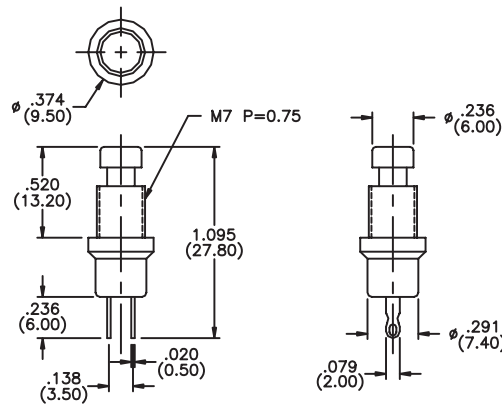
### MPB1110



NORMALLY OPEN

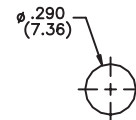


SCHEMATIC



MECHANICAL OUTLINE

Model No.	Cap Color
MPB11102	Black
MPB11106	Red



TOLERANCE FOR PANEL  
 MTG. HOLE: +.005 (0.13)  
 -.000 (0.00)

PANEL MTG. HOLE

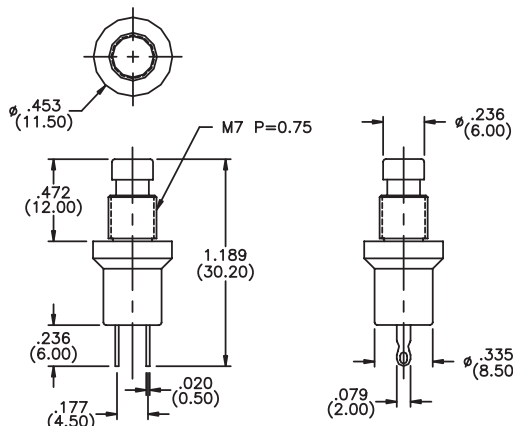
### MPB1140



NORMALLY CLOSED

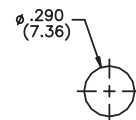


SCHEMATIC



MECHANICAL OUTLINE

Model No.	Cap Color
MPB11402	Black
MPB11406	Red



TOLERANCE FOR PANEL  
 MTG. HOLE: +.005 (0.13)  
 -.000 (0.00)

PANEL MTG. HOLE